

# CRYPTERA EPP 2200



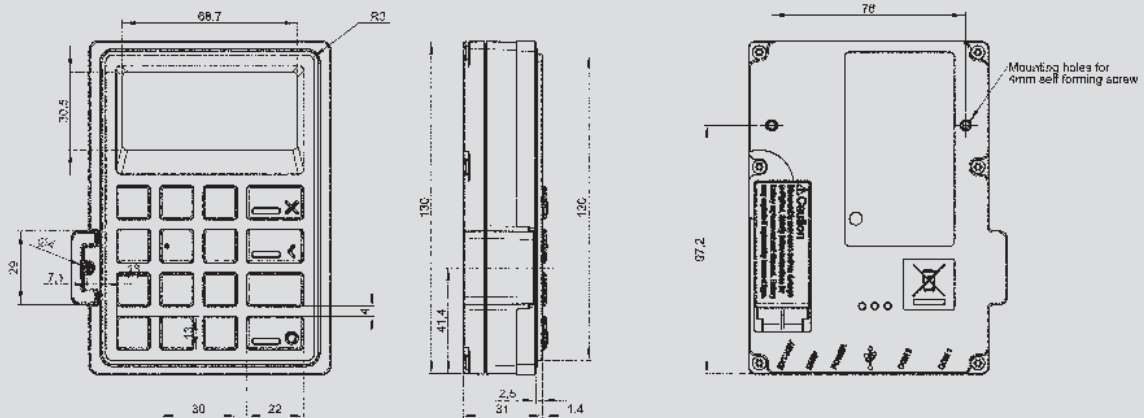
PCI 3.X  
APPROVED

## ENCRYPTING PIN PAD

### OEM ENCRYPTING PIN PAD FOR:

- Unattended Payment Solutions
  - Petrol forecourt payment
  - Ticket vending machines
  - Kiosk solutions
  - Parking venues
- 3DES Upgrade market
- PCI 3.x Approved PIN Pad with display
- Polymer Keyboard
- Customised Layouts
- 3DES and Remote Key Load Support
- USB and RS-232 Interface
- Connectors for Function Keys and Beeper
- Stainless Steel Keys
- Removal Sensor

# CRYPTERA EPP 2200



## KEYBOARD

- Stainless steel keys in a polymer frame.
- All keyboard text is black. Function keys can have coloured bars.
- Keys are raised.
- Embossing ( XOI< ) is an available option.
- Keyboard lifetime is one million cycles.

## DISPLAY

- Monochrome LCD display
- Window size: 68x30 mm
- 128x64 pixels
- Background light
- Optimal temperature range 0 - + 55

## ELECTRICAL INTERFACES

- Power supply: 12-24 VDC +/- 10%, max 100 mA.
- RS-232: RJ45 according to RS-232-D, max speed 115.2 Kbps up to 115.2 Kbps.
- USB: Driver emulates COM-port. USB-powered except when using beeper.
- External beeper: Connector for external beeper. This requires power supply
- External keyboard: Connector for 2 x 4 function keys.
- LEDs: Three internal LEDs for diagnostics

## ENVIRONMENT

- Keyboard is watertight when correctly mounted.
- IP65 (from front of keyboard).
- Keyboard temperature range is -25°C to +65°C.
- Vandal resistance: IK07.
- Device is CE approved.
- Device is ROHS compliant.

## APPROVALS

PCI 3.x Approved

## SOFTWARE FUNCTIONS

- Customer-specific software development is offered on request.
- Cryptera has vast experience in building customer-specific solutions.
- Cryptera has a highly educated and experienced development team.



Scan the code with your smartphone and get more information about Cryptera

## CRYPTERA A/S

Fabriksparken 20  
DK-2600 Glostrup

Phone: + 45 4343 4395  
Fax: + 45 4343 5354

info@cryptera.com  
www.cryptera.com

